

Excelon 73 Micro-Fog and Oil-Fog Lubricators 1/4", 3/8", 1/2" Port Sizes

- Excelon design allows in-line or modular installation
- Quick release bayonet bowl
- Flow sensor design provides a nearly constant oil/air ratio over a wide range of air flows
- Highly visible, prismatic liquid level indicator lens
- All around (360°) visibility of the sight-feed dome simplifies installation and adjustment
- Modular installations with Excelon 72, 73, and 74 series can be made to suit particular applications

Use Micro-Fog models in applications containing one or more points of lubrication.

Use Oil-Fog models to lubricate a single tool, cylinder, or other air driven device.



Ordering Information. Models listed include PTF threads, manual drain, and metal bowl with plastic liquid level indicator.

Type	Main Port Size	Model Number	Flow* scfm (dm ³ /s)	Weight lb (kg)
Micro-Fog	1/4"	L73M-2AP-QDN	60 (28)	1.1 (0.50)
	3/8"	L73M-3AP-QDN	60 (28)	1.1 (0.50)
	1/2"	L73M-4AP-QDN	60 (28)	1.1 (0.50)
Oil-Fog	1/4"	L73C-2AP-QDN	60 (28)	1.1 (0.50)
	3/8"	L73C-3AP-QDN	60 (28)	1.1 (0.50)
	1/2"	L73C-4AP-QDN	60 (28)	1.1 (0.50)

* Maximum recommended air flow. Higher flows create excessive air velocity, turbulence, and pressure losses.

Alternative Models

L 7 3 ★ - ★ ★ ★ - ★ ★ ★

Type	Substitute
Oil-Fog	C
Micro-Fog	M
Port Size	Substitute
1/4"	2
3/8"	3
1/2"	4
Threads	Substitute
PTF	A
ISO Rc taper	B
ISO G parallel	G
Air Flow Direction	Substitute
Uni-directional	P

Options	Substitute
None	N
Pyrex sight-feed dome †	P
Quick fill nipple	Q

Bowl	Substitute
Metal with plastic liquid level indicator	D
Transparent with guard	P
Metal with Pyrex liquid level indicator †	R
Transparent	T

Drain	Substitute
Closed bottom	E
Manual 1/4 turn	Q

† Order optional Pyrex sight-feed dome when ordering metal bowl with Pyrex liquid level indicator.

See Section ALE-24 for Accessories



Technical Data

Fluid: Compressed air

Maximum pressure

Transparent bowl: 150 psig (10 bar)

Metal bowl: 250 psig (17 bar)

Operating temperature*

Transparent bowl: 0° to 125°F (-20° to 50°C)

Metal bowl: 0° to 175°F (-20° to 80°C)

* Air supply must be dry enough to avoid ice formation at temperatures below 35°F (2°C).

Start point (minimum flow required for lubricator operation): 1.5 scfm (0.71 dm³/s) at 90 psig (6.3 bar) inlet pressure

Typical flow with 90 psig (6.3 bar) inlet pressure and 3.5 psig (0.25 bar) pressure drop: 80 scfm (38 dm³/s)

Maximum recommended flow: 60 scfm (28 dm³/s). Air flows above 60 scfm (28 dm³/s) create excessive air velocity, turbulence, and pressure losses. In addition, the fog produced by the lubricator will wet out on the pipe walls and will not be carried by the compressed air to the point of application.

Nominal bowl size: 3.5 fluid ounce (0.1 liter)

Manual drain connection: Will fit 1/8-27 and 1/8-28 pipe thread

Recommended lubricants: See Section ALE-29.

Materials

Body: Aluminum

Bowl

Transparent: Polycarbonate

Transparent with guard: Polycarbonate, steel guard

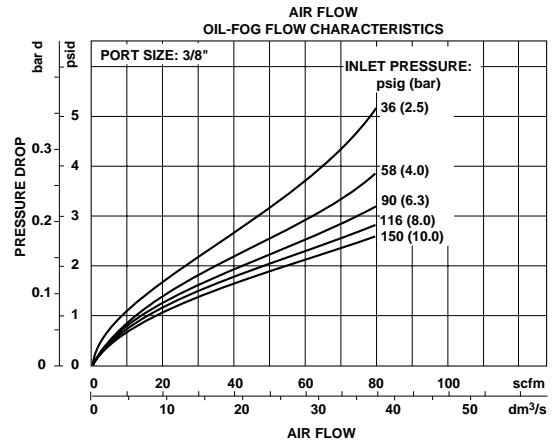
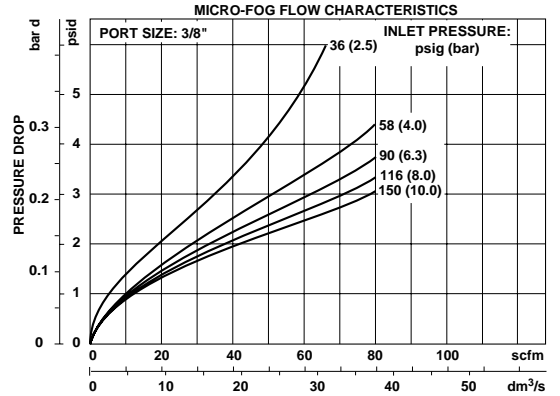
Metal: Aluminum

Metal bowl liquid level indicator lens: Transparent nylon

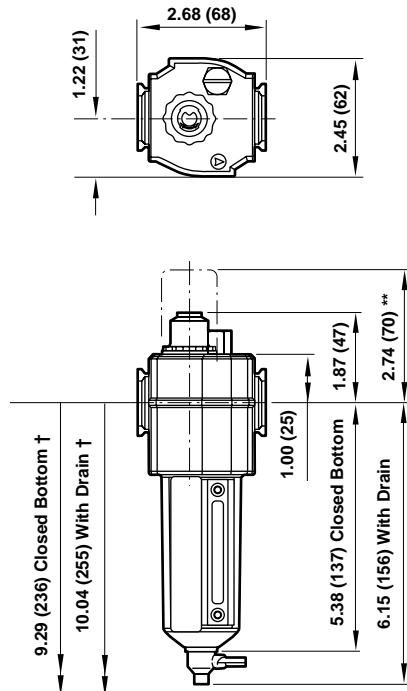
Sight-Feed dome: Transparent nylon

Elastomers: Neoprene and nitrile

Typical Performance Characteristics



All Dimensions in Inches (mm)



** Optional pyrex sight-feed dome.

† Minimum clearance to remove bowl.

Service Kits

Item	Type	Part Number
Service kit	Seal & Gasket	4382-600
Liquid level lens kit	Prismatic	4380-020
Replacement drain	Manual 1/4 turn	619-50

Service kit includes dome seal, drain seal, bowl seal and fill plug seal.