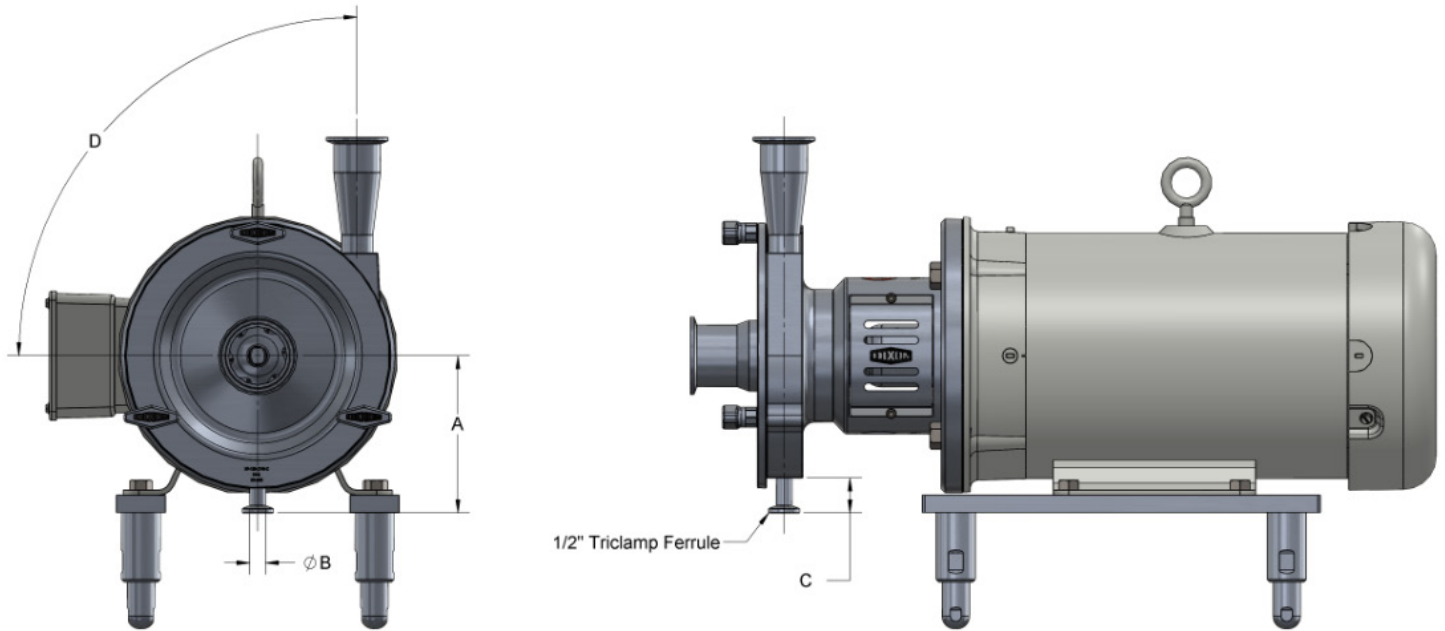




ExD-Series Centrifugal Pump Casing Drain Option A & J Dimensions



Pump Model	Casing Drain Option	Dimensions In Inches (Unless Otherwise Noted)			
		A	ØB	C	D
ExD 100/110	Option A	3.71	0.50	1.13	45°
	Option J				90°
ExD 120/130	Option A	5.06	0.50	1.13	45°
	Option J				90°
ExD 200/210	Option A	5.70	0.50	1.13	45°
	Option J				90°
ExD 220/230	Option A	5.98	0.50	1.13	45°
	Option J				90°

- All dimensions are given in inches.
- All dimensions are for guidance only.
- Contact Dixon Sanitary for detailed drawing.

Dixon Sanitary

N25 W23040 Paul Road • Pewaukee, WI 53072
 ph: 800.789.1718 • 262.513.6900 • fx: 800.789.4046 • 262.513.4904
 dixonvalve.com