

Installation Instructions

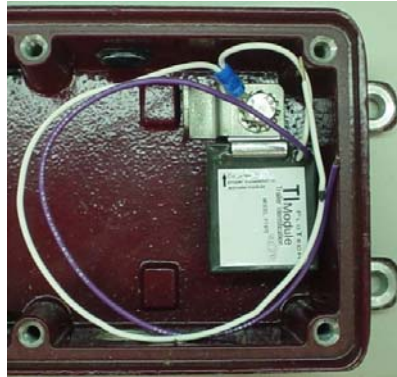
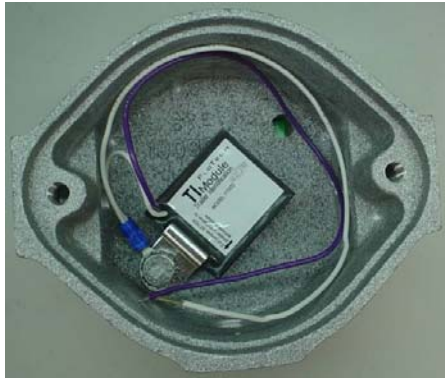
For

TRAILER IDENTIFICATION MODULE

(TIModule)

Part Number

FT470



For Sales & Service Contact

USA:

Dixon Bayco USA
Chestertown, Maryland
Phone: 410-778-2000
Fax: 410-778-4702
Toll Free: 800-355-1991
E-mail: dixonbayco@dixonvalve.com
www.dixonbayco.com

Mexico:

Dixva, S. de R.L. de C.V.
Monterrey, N.L.
Phone: 01-800-00-DIXON (34966)
Fax: 01-81-8354-8197
E-mail: contactenos@dixonvalve.com.mx
www.dixonvalve.com

Asia Pacific:

Dixon (Asia Pacific) Pty Ltd
Wingfield, South Australia
Phone: +61 8 8202 6000
Fax: +61 8 8202 6099
E-mail: enquiries@dixonvalve.com.au
www.dixonvalve.com.au

Canada:

Dixon Group Canada Limited
Innisfil (Barrie), Ontario
Phone: 705-436-1125
Fax: 705-436-6251
Toll Free: 877-963-4966
E-mail: isales@dixongroupcanada.com
www.dixongroupcanada.com

Europe:

Dixon Group Europe Ltd
Preston, England
Phone: +44 (0)1772 323529
Fax: +44 (0)1772 314664
E-mail: enquiries@dixoneurope.co.uk
www.dixoneurope.co.uk



The Right Connection™

Overview

The FT470 TIModule is intended to be installed onto petroleum carrying tank trailers. Once installed, the unit will provide a digital serial number to uniquely identify the trailer. The serial number may be used to cross reference inspection dates, trailer owner, and trailer contents.

Technical specifications

Dimensions (without tab)	1.75"x1.50"x0.75"
Operational Temperature	-40C to 60C

Mounting Instructions

All TIModules must be mounted inside a socket housing. The Mounting tab is raised to be compatible with housings featuring a built in standoff. If the TIModule is to be mounted in a housing that has no built in standoff, the necessary spacer is provided.

1. Clean the area surrounding the mounting bolt inside the socket.
2. Follow mounting diagram in figure 1 for a multi-socket housing or follow mounting diagram in figure 2 for a single-socket housing, then tighten mounting bolt securely.

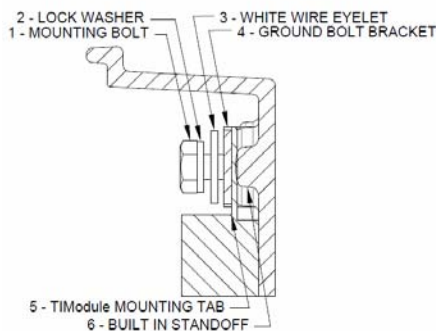


Figure 1: Multi Socket Mounting

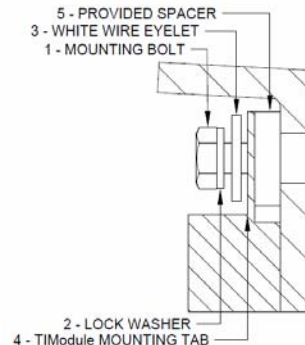


Figure 2: Single Socket Mounting

Wiring Instructions

Follow wiring diagram in figure 3 for multi socket housing or follow wiring diagram in figure 4 for single socket housing. Maintenance and installation to be completed in non-hazardous location.

3. Cut wires to length then connect to sockets using butt splice or included self locking spades.
4. Test that the TIModule is properly installed and functioning using either a FT530 or FT555 tester. One of these testers is required in order to digitally read and verify the TIModule is properly installed and readable.

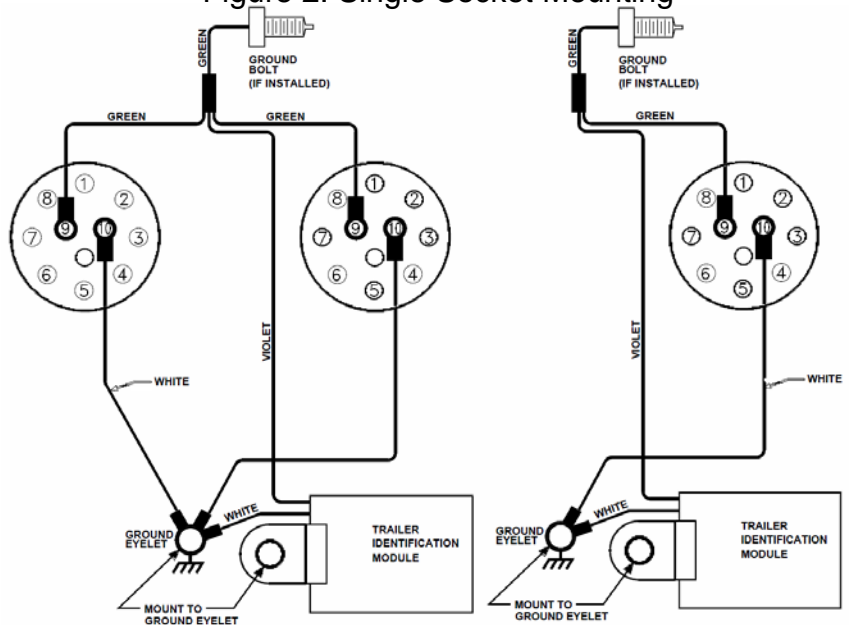


Figure 3: Multi Socket

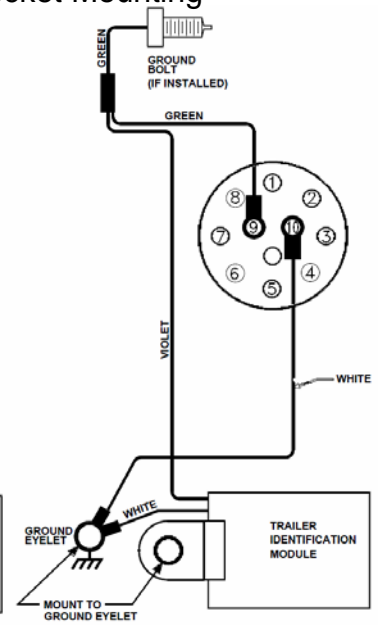


Figure 4: Single Socket

5. The electronic serial number must be provided to the loading rack in order to permit authorized loading of the host trailer.

Dixon Warranty:

For warranty Information, please refer to the inside back cover of the latest Dixon catalogue.