

HYC-Series Y - Ball Check Valve



This valve can be used in combination with a B45 Air Blow Check Valve to evacuate the upstream checked fluid from the processing line.

Features

- Two-piece construction
- Replaceable seat
- Can be serviced in the field (no special tools required)

Materials

- Product contact metal components: CF8M (316)
- Non-product contact metal components: AISI 304
- Product contact seals: EPDM, FKM
- Ball: PTFE, EPDM, FKM, NBR

Specifications

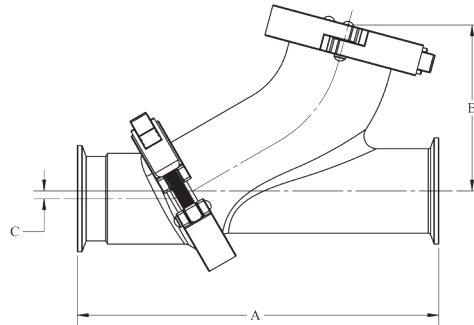
- Operating temperature range: 15°F to 200°F (-9°C to 93°C)
- Maximum operating pressure: 150 PSI
- Internal product contact surface finish ≤ 32Ra



Size	316L Stainless Steel with EPDM Part #	316L Stainless Steel with FKM Part #
1-1/2"	HYCEP150CCAA	HYCVP150CCAA
2"	HYCEP200CCAA	HYCVP200CCAA
2-1/2"	HYCEP250CCAA	HYCVP250CCAA
3"	HYCEP300CCAA	HYCVP300CCAA

For other configurations, contact Dixon Sanitary at 800.789.1718

Dimensions



Valve Size	A (in)	B (in)	C (in)	PTFE Ball ø (in)	Rubber Ball ø (in)
1-1/2"	7.50	3.30	0.16	1.6	4.9
2"	8.50	3.90		2.1	6.6
2-1/2"	10.00	4.50		2.7	10.5
3"	11.50	5.30		3.6	17.5

All dimensions are approximate. Engineering dimensions are available upon request. Specifications are subject to change without notice.

Repair and Seal Kits

Repair kit contains:

- (1) EPDM cap gasket
- (1) PTFE ball
- (1) EPDM/CF8M seat

Seal kit contains:

- (1) EPDM cap gasket
- (1) EPDM/CF8M seat

FKM seal kit contains:

- (1) FKM cap gasket
- (1) FKM /CF8M seat

Size	EPDM/PTFE Repair Kit Part #	FKM/PTFE Repair Kit Part #	EPDM Seal Kit Part #	FKM Seal Kit Part #	Replacement Ball Only Part #
1-1/2"	HYC-RKE150	HYC-RKV150	HYC-SKE150	HYC-SKV150	HYC-TB150
2"	HYC-RKE200	HYC-RKV200	HYC-SKE200	HYC-SKV200	HYC-TB200
2-1/2"	HYC-RKE250	HYC-RKV250	HYC-SKE250	HYC-SKV250	HYC-TB250
3"	HYC-RKE300	HYC-RKV300	HYC-SKE300	HYC-SKV300	HYC-TB300

