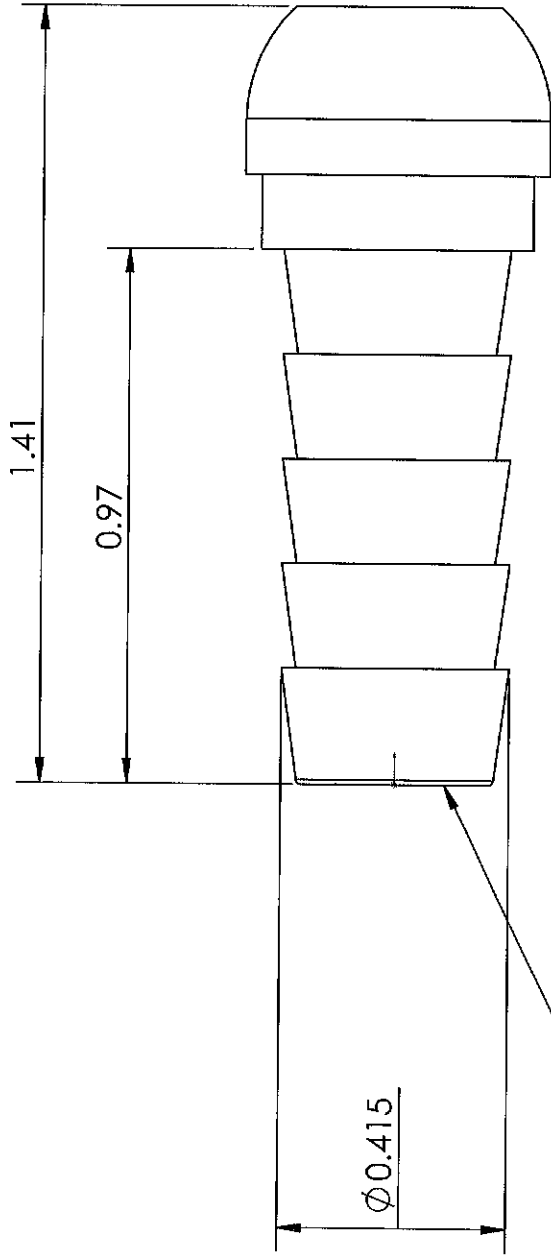
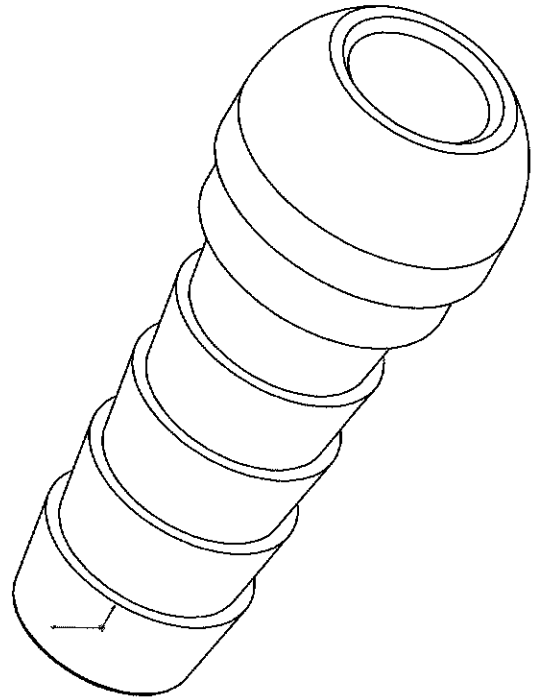


LINE DRAWING NOT FOR PRODUCTION PURPOSES

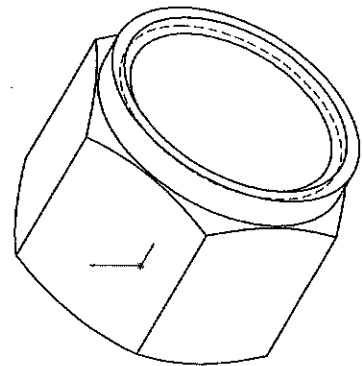
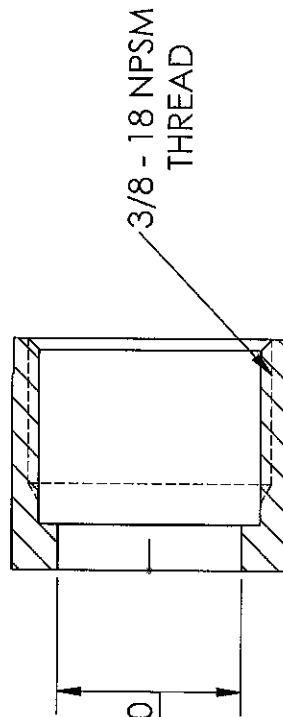
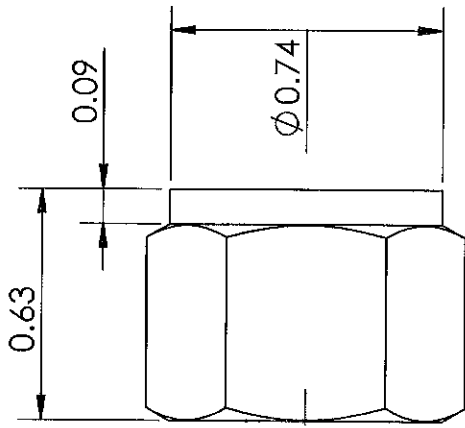
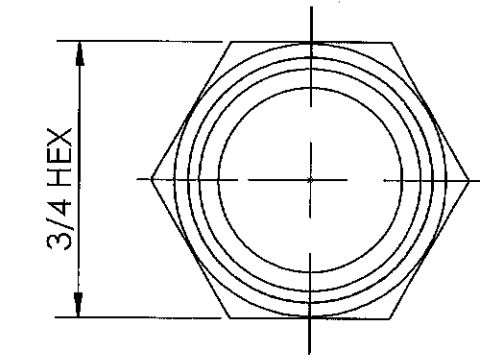


THRU HOLE DIA. .281



THIS DRAWING CONTAINS INFORMATION DEEMED PROPRIETARY TO DIXON BRASS AND IS SO TO BE USED ONLY FOR THE PURPOSE FOR WHICH IT IS SUBMITTED, AND FURTHER, SHALL NOT BE COPIED IN WHOLE OR IN PART WITHOUT EXPRESS WRITTEN PERMISSION FIRST OBTAINED FROM DIXON BRASS.		DRAWN	DATE
UNLESS OTHERWISE SPECIFIED:		P. MONAGHAN	2/27/14
DIMENSIONS ARE IN INCHES		APPROVED	DATE
TOLERANCES:		ECO NO.	
ANGLES: +0° 30'			
.X (± 0.10)			
.XX (± 0.05)			
.XXX (± 0.025)			
DIMENSIONS PER ANSI Y14.5			
Dixon Brass Westmont, Illinois USA		DRAWING NOT REPRODUCED TO SCALE	
The Right Connection <sup>®</sup>		SIZE	DWG. NO.
TITLE: 3/8 SWIVEL STEM BALL TYPE		A	12406065
		REV	B

LINE DRAWING NOT FOR PRODUCTION PURPOSES



THIS DRAWING CONTAINS INFORMATION DEEMED PROPRIETARY TO DIXON BRASS AND IS SO TO BE USED ONLY FOR THE PURPOSE FOR WHICH IT IS SUBMITTED, AND FURTHER, SHALL NOT BE COPIED IN WHOLE OR IN PART WITHOUT EXPRESS WRITTEN PERMISSION FIRST OBTAINED FROM DIXON BRASS UNLESS OTHERWISE SPECIFIED.		DRAWN P. MONAGHAN		DATE 2/27/14
DIXON The Right Connection <sup>®</sup>		APPROVED		DATE
Dixon Brass Westmont, Illinois USA		ECO NO.		
DIMENSIONS ARE IN INCHES		DRAWING NOT REPRODUCED TO SCALE		
TOLERANCES: ANGLES: ±30° Ø (F-010) XX (F-010) XXX (F-005)		TITLE: FEMALE SWIVEL NUT 3/8 - 18 NPSM		
DIMENSIONS PER ANSI Y14.5		SIZE	DWG. NO.	REV
		A	1240406N	D