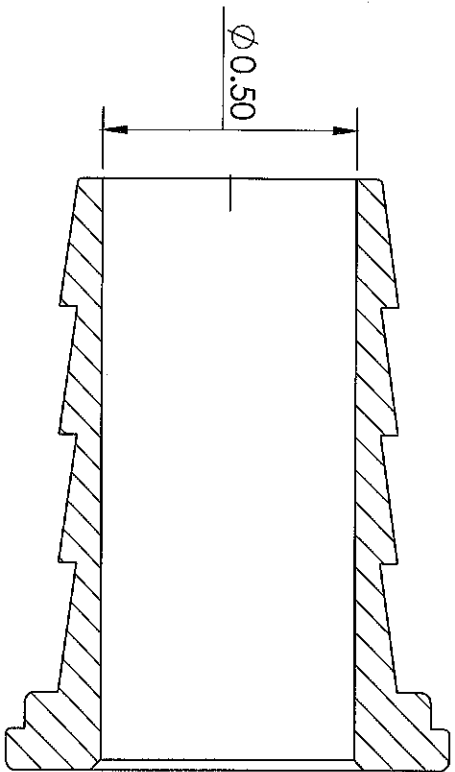
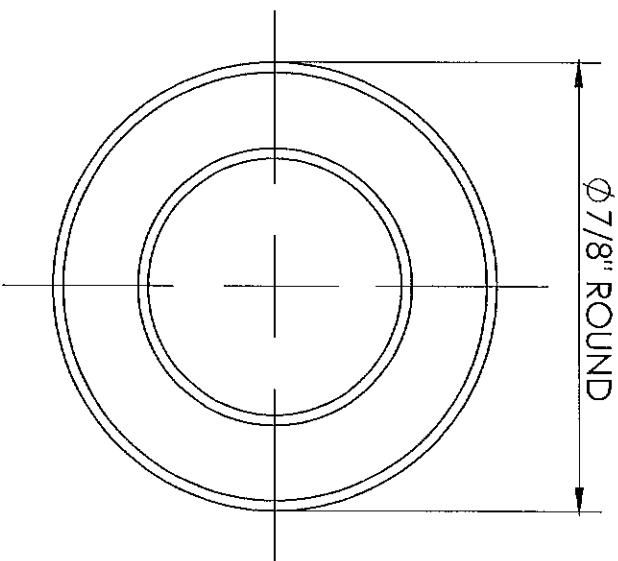
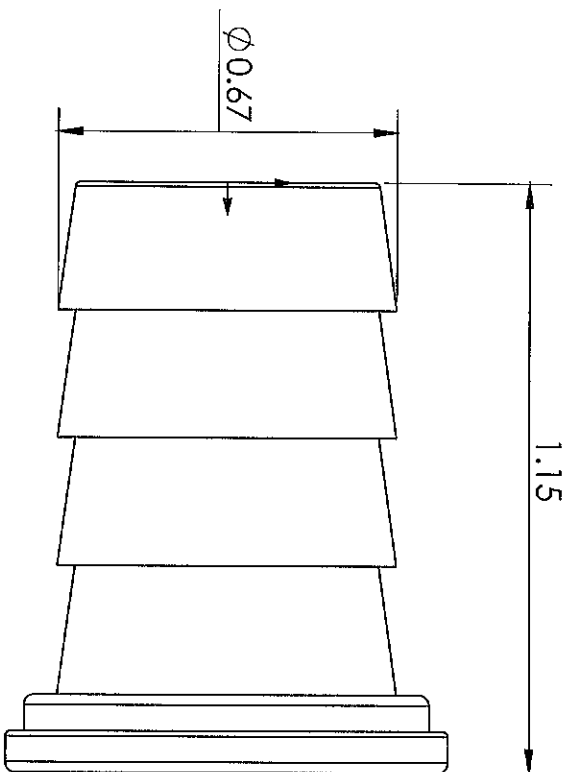


LINE DRAWING NOT FOR PRODUCTION PURPOSES



MATERIAL 7/8" ROUND ALLOY 360 BRASS

This drawing is owned by Dixon Valve, Coupling Co. and shall be returned upon demand. It is loaned on condition that it shall not be copied or reproduced or submitted to others without the owners consent. In accepting it, subject to this condition, the recipient further agrees that this drawing or any design detail or concept disclosed herein shall not be used in any way detrimental to or in competition with the owner. If the recipient does not agree to the terms of this agreement they shall return this drawing immediately. The information contained in this drawing is subject to change without notice.



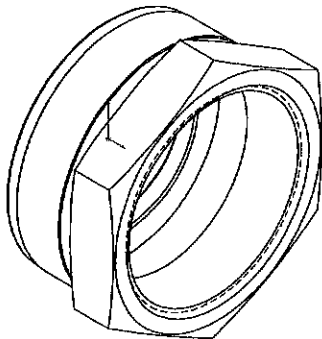
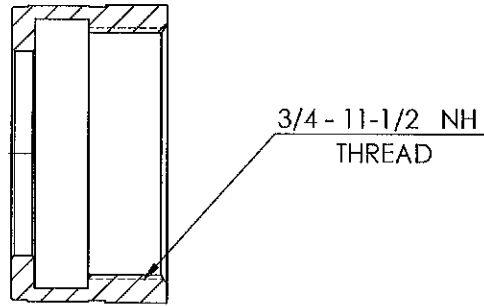
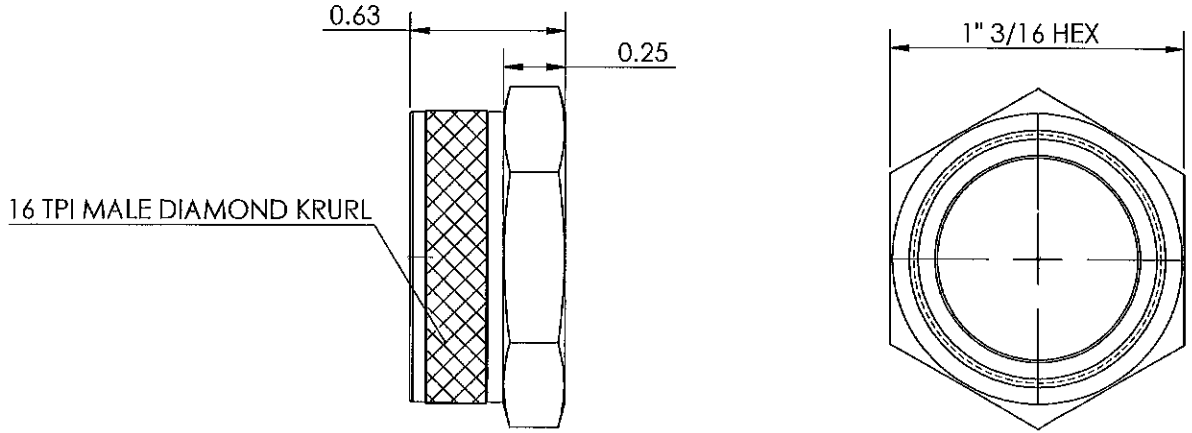
Dixon Brass
Westmont, Illinois USA


DRAWN: H. BARRERA | DATE: 12/11/17
APPROVED: | DATE: |
ECO NO.:

TITLE: 5/8 GARDEN HOSE
STEM (3 BARB)

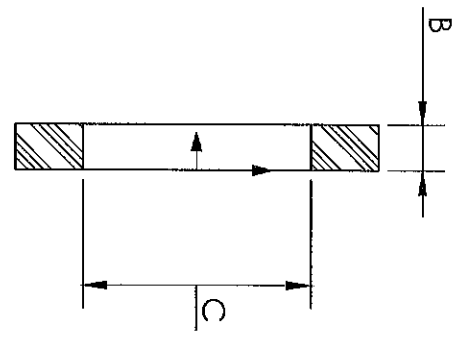
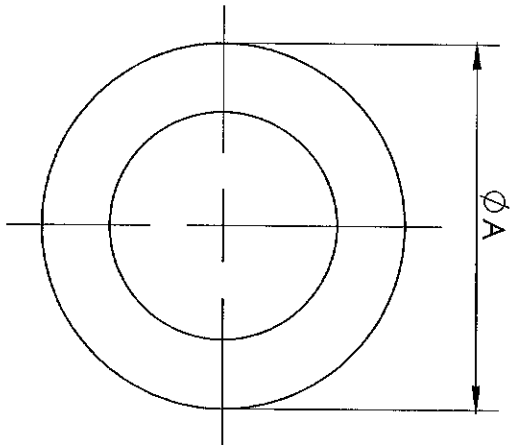
DO NOT SCALE THIS DRAWING.
SIZE: A | DWG. NO.: 5861012S | REV: A

LINE DRAWING NOT FOR PRODUCTION PURPOSES



<small>THIS DRAWING CONTAINS INFORMATION DEEMED PROPRIETARY TO DIXON BRASS AND IS TO BE USED ONLY FOR THE PURPOSE FOR WHICH IT IS SUBMITTED, AND FURTHER, SHALL NOT BE COPIED IN WHOLE OR IN PART WITHOUT EXPRESS WRITTEN PERMISSION FIRST OBTAINED FROM DIXON BRASS.</small>			
<small>UNLESS OTHERWISE SPECIFIED:</small>			
<small>DIMENSIONS ARE IN INCHES</small>		 <p>Dixon Brass Westmont, Illinois USA</p>	<small>DRAWN</small> P. MONAGHAN <small>DATE</small> 1/11/16
<small>TOLERANCES:</small> <small>ANGLES: ±0°30'</small> <small>.X (±.015)</small> <small>.XX (±.010)</small> <small>.XXX (±.005)</small> <small>DIMENSIONS PER ANSI Y14.6</small>			<small>APPROVED</small> <small>DATE</small>
<small>TITLE:</small> GARDEN HOSE NUT		<small>ECO NO.</small>	<small>DRAWING NOT REPRODUCED TO SCALE</small>
<small>SIZE</small> A	<small>DWG. NO.</small> 5911212N	<small>REV</small> J	

REV	COMMENTS	DATE
B	REDRAWN	5/31/19



MATERIAL	PART NUMBER	A	B	C
BLACK SBR 80 DURO	5911212W	1.000 ±.010	.125 ±.005	.625 ±.010
	5911616W	1.270 ±.020	.125 ±.005	.860 ±.010

MATERIAL	PART NUMBER	A	B	C
BLACK PEROXIDE CURE EPDM NSF61.70 DURO WITH WHITE STRIPE	5911212WEPDM	1.000 ±.010	.125 ±.005	.625 ±.010
	5911616WEPDM	1.270 ±.020	.125 ±.005	.860 ±.010

THIS DRAWING CONTAINS INFORMATION DEEMED PROPRIETARY TO DIXON BRASS AND IS SO TO BE USED ONLY FOR THE PURPOSE FOR WHICH IT IS SUBMITTED, AND FURTHER, SHALL NOT BE COPIED IN WHOLE OR IN PART WITHOUT EXPRESS WRITTEN PERMISSION FIRST OBTAINED FROM DIXON BRASS. UNLESS OTHERWISE SPECIFIED, DIMENSIONS ARE IN INCHES. TOLERANCES: ANGLES ±.30° .XX (-0.010) .XXX (-0.005) DIMENSIONS PER ANSI Y14.5

DIXON
The Right Connection™
Dixon Brass
Westmont, Illinois USA

DATE: 5/31/19
DRAWN: P. MONAGHAN
APPROVED: [Signature]
ECO NO. [Blank]

TITLE: GARDEN HOSE WASHER

SIZE: A
DWG. NO.: 591 SERIES
REV: B

DRAWING NOT REPRODUCED TO SCALE