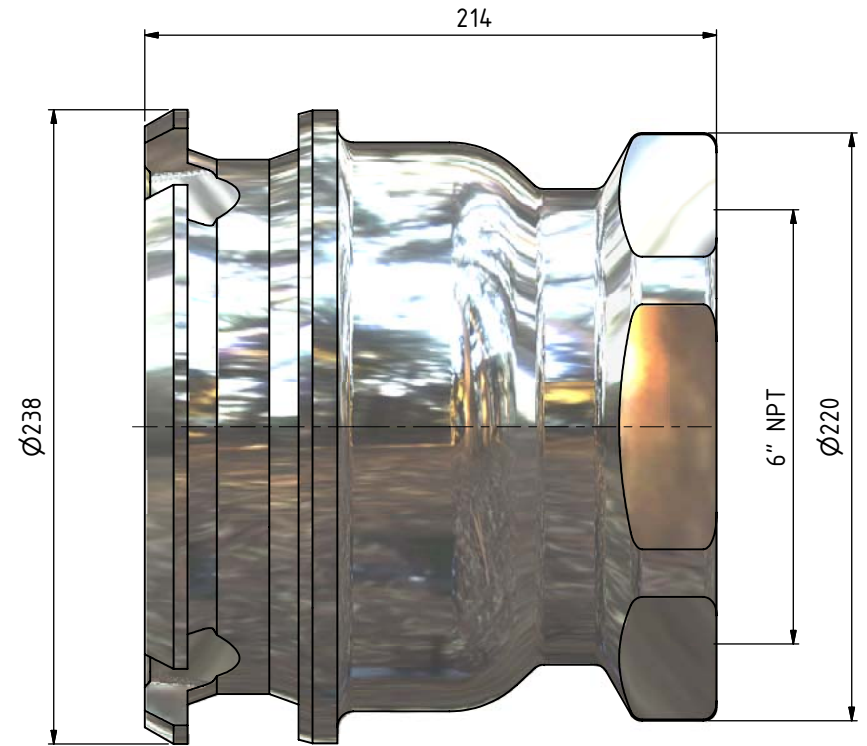
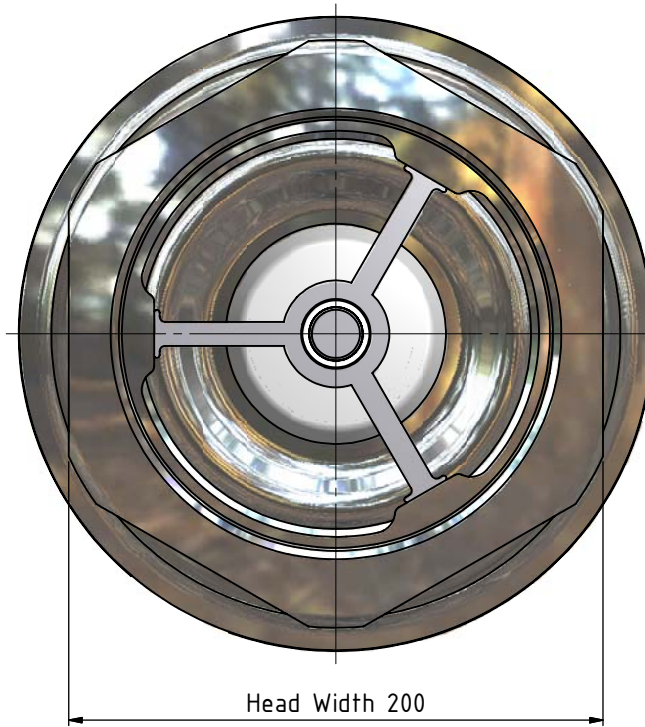



Notice: This drawing contains proprietary information and shall not be used or reproduced or its contents disclosed in whole or in part, without the prior written consent of the Mann Technik AB



Dimensions are in metric.

Detail No:		Material		Ytbeh./Treatment	
		Designed/drawn by A. Olofsson		Scale: 1:2	
		Checked M. Bäckström		Date 2006-02-03	
		Approved T. Mann			
<p style="text-align: center;">Tank Unit 6" Connection: 6" NPT</p>				Data nr./Comp No. T6111A4401	
				Blad/Sheet 1 / 1	
				Drawing No. T6111A4401-1	
				Rev.	

NO.	Revision comprises	Date	Sign.	Appr by
-----	--------------------	------	-------	---------