



The Right Connection®

# BOSS LPS

## Low Pressure Systems

Products designed specifically for the oil and gas industry

### One-Piece 8" Dixon Frac Fittings



**Application:**

- used in the transfer of water, chemicals and sand slurry at hydraulic fracturing sites

**Features:**

- one-piece stem design eliminates leak path as experienced with two-piece threaded systems
- interchangeable with current fittings; phase them into your operation
- durable and safe with reliable hose retention when crimped as specified
- 150 PSI (10 BAR) working pressure at 70°F (21°C)
- 3:1 safety factor (SF)

**Materials:**

- forged nuts meet AISI standards
- machined iron stems meet ASTM standards; zinc plated
- male NPT style stems are machined from schedule 40 steel pipe

### Frac Fittings



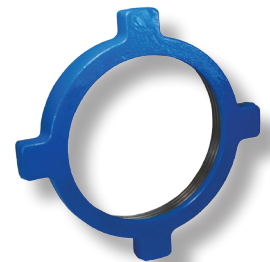
female fitting



male fitting



male NPT fitting

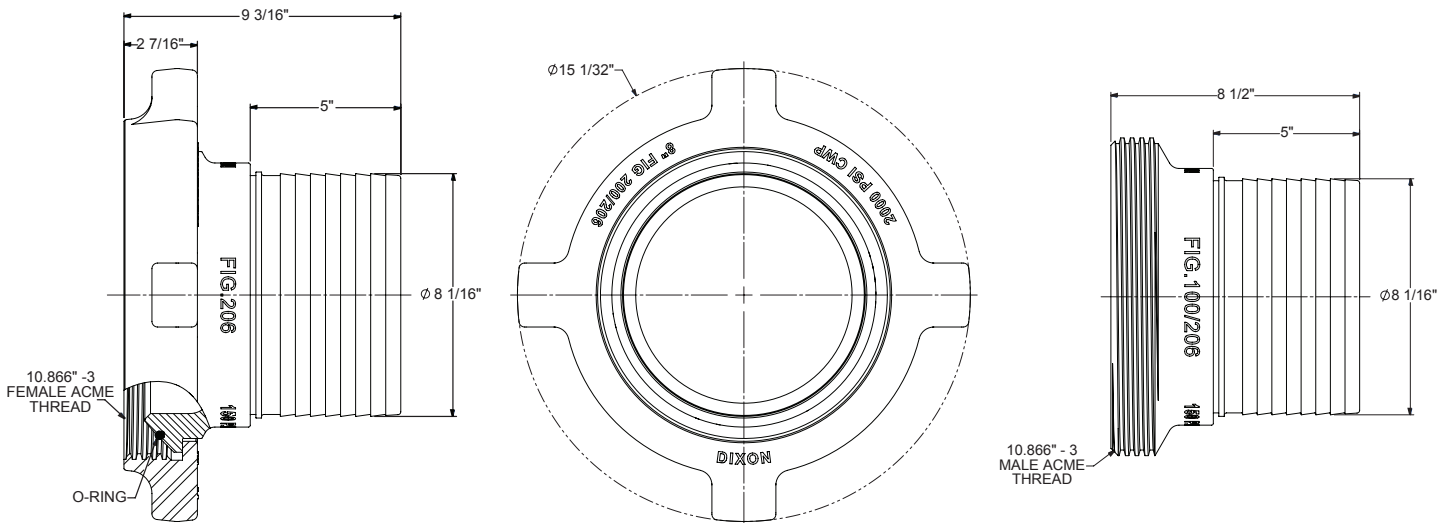


wing nut

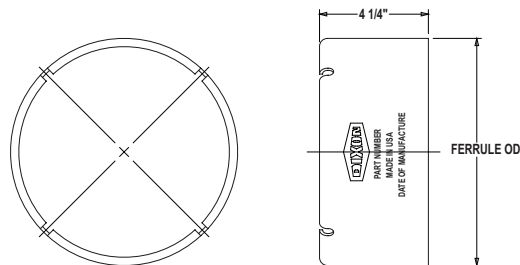
Description	Fig. 100 Part #	Fig. 206 Part #
complete assembly (male, female, nut, O-ring)	<b>HUMF100800CS</b>	<b>HUMF206800CS</b>
female frac fitting	<b>HUFALL800CS</b>	<b>HUFALL800CS</b>
male frac fitting (includes nut and O-ring)	<b>HUM100800CS</b>	<b>HUM206800CS</b>
8" male NPT fitting	<b>STC80CS</b>	<b>STC80CS</b>
wing nut (forged)	<b>HU100800N</b>	<b>HU206800N</b>
O-ring (Buna-N)	---	<b>O447BU</b>
split nut (forged) when replacing one-piece nut	<b>HU100800RN</b>	<b>HU200800RN</b>

- refer to the other side for fitting and ferrule dimensions

# One-Piece 8" Dixon Frac Fittings



## 8" Short Frac Ferrules



Part #	Hose OD		Ferrule OD	Ferrule ID	Wall Thickness	Ferrule Overall Length
	From	To				
<i>CFS800-1CS</i>	8-29/64"	8-36/64"	8.867"	8.625"	.120"	4.25"
<i>CFS800-2CS</i>	8-37/64"	8-44/64"	8.992"	8.750"	.120"	4.25"
<i>CFS800-3CS</i>	8-45/64"	8-52/64"	9.117"	8.875"	.120"	4.25"
<i>CFS800-4CS</i>	8-53/64"	8-60/64"	9.242"	9.000"	.120"	4.25"
<i>CFS800-5CS</i>	8-61/64"	9-4/64"	9.367"	9.125"	.120"	4.25"
<i>CFS800-6CS</i>	9-5/64"	9-12/64"	9.492"	9.250"	.120"	4.25"
<i>CFS800-7CS</i>	9-13/64"	9-20/64"	9.617"	9.375"	.120"	4.25"
<i>CFS800-8CS</i>	9-21/64"	9-28/64"	9.742"	9.500"	.120"	4.25"

### Safety

Dixon's couplings and retention devices are designed to work safely for their intended use. The selection of the proper hose, coupling and retention device, and the proper application of the coupling to the hose are of utmost importance.

Users must consider the size, temperature, application, media, pressure and hose and coupling manufacturer's recommendations when selecting the proper hose assembly components. Dixon recommends that all hose assemblies be tested in accordance with the Association for Rubber Products Manufacturer's (ARPM) recommendations and be inspected regularly (before each use) to ensure that they are not damaged or have become loose. Visit [ARPMINC.com](http://ARPMINC.com) for more information.

Where safety devices are integral to the coupling, they must be working and utilized. The use of supplementary safety devices such as safety clips or safety cables are recommended.

If any problem is detected, couplings must be removed from service immediately. Dixon is available to consult, train and recommend the proper selection and application of all fittings we sell. We strongly recommend that distributors and end users make use of Dixon's Testing and Recommendation Services. Call 877.963.4966 or click [dixonvalve.com](http://dixonvalve.com) to learn more.

scan to visit our website



connect with us on



**Dixon**

ph 877.963.4966

fx 800.283.4966

sales@dixonvalve.com

[dixonvalve.com](http://dixonvalve.com)